



www.accordcase.com

email. info@accordcase.com

in accord with the world

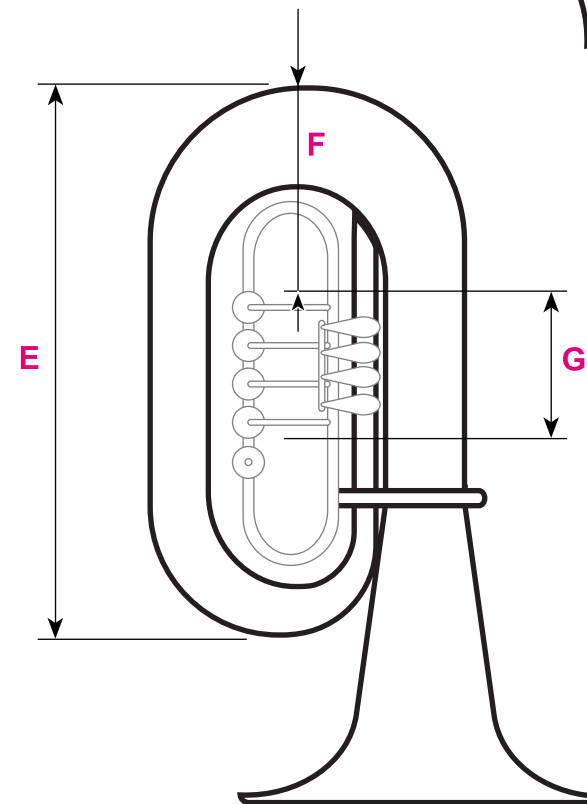
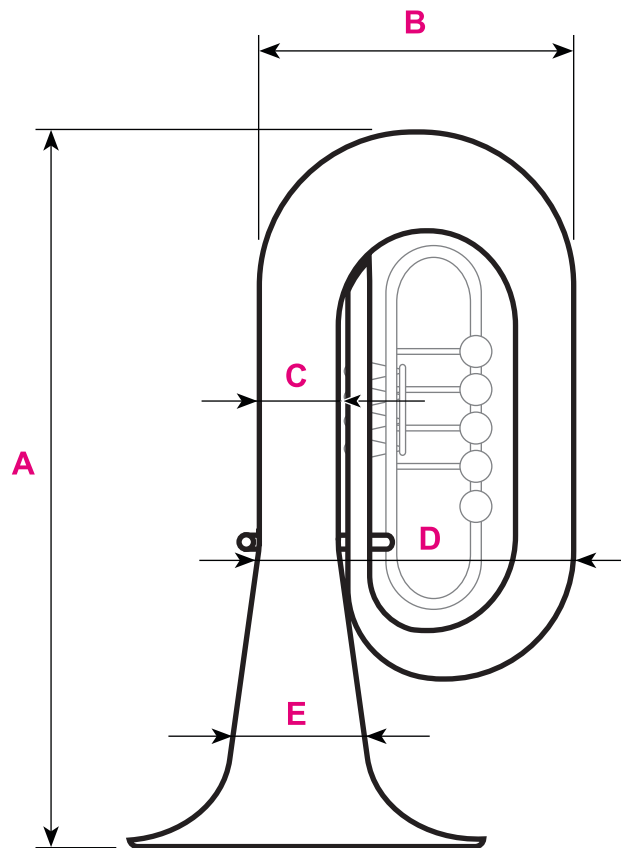
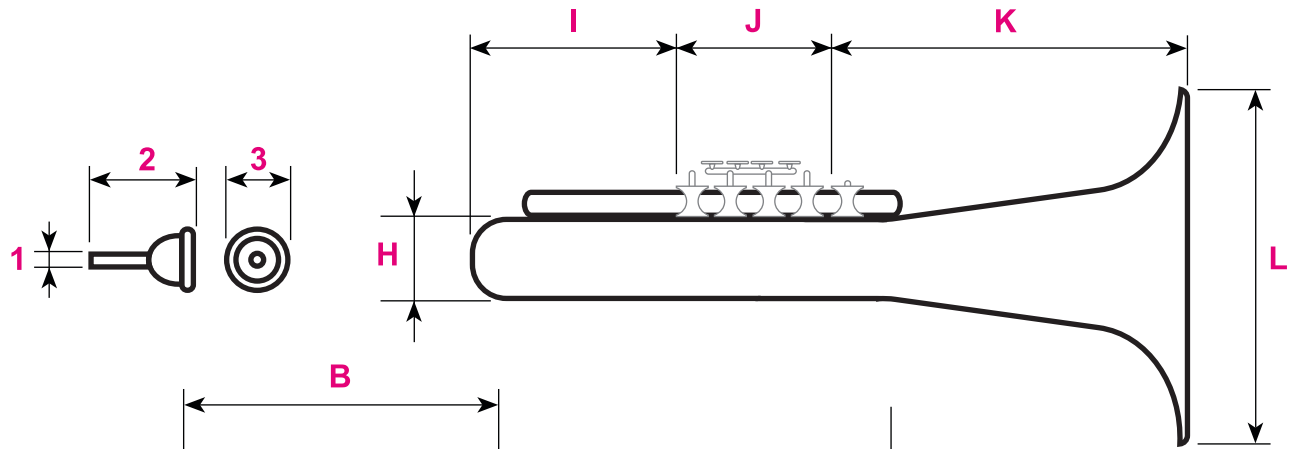
NAME : _____

ADDRESS: _____

PHONE/FAX: _____

E-MAIL: _____

Tuba - Measurement Form



A	
B	
C	
D	
E	
F	
G	
H	
I	
J	
K	
L	

1	
2	
3	